

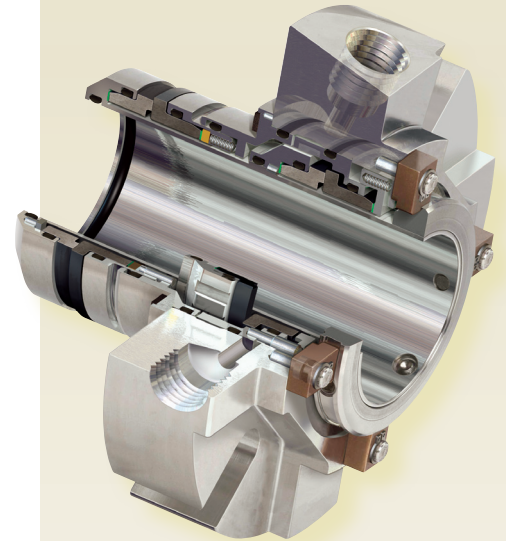
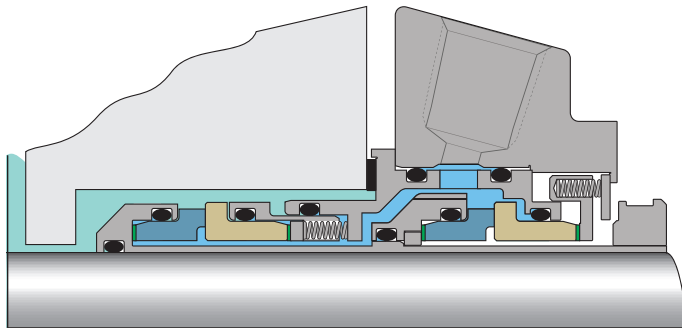
# S20

## High Performance Cassette Double Seal

*Unique modular cassette that combines advanced seal technology with flexibility in maintenance and repair*

Simplify seal maintenance and increase equipment reliability with Chesterton's S20 Cassette Seal. Featuring a Self Centering Lock Ring and Self Releasing Setting Clips, the S20 enables quick, easy and accurate installation. Sealing security is ensured by the tandem configuration allowing operation with elevated barrier system pressures and preventing process leakage to the atmosphere. The S20 offers key seal performance benefits:

- Tandem configuration for dependable sealing security
- High flow internal pumping ring
- Self-Centering Lock Ring eliminates misalignment
- Advanced monolithic face design
- Micropolished O-Ring surfaces eliminate O-Ring hang-up



**ViewIn™**  
Chesterton® Technology

**One optimized sealing concept for plant-wide standardization**

- ViewIn™ enabled RFID seal tracking technology which identifies the serial number
- Quick to repair with innovative cassette feature

### SPECIFICATIONS

#### Operating Parameters

Sizes	25 mm – 120 mm 1.00" – 4.75"
Pressure	711 mm or 28" Hg Vacuum to 31 bar g / 450 psig* 17 bar g / 250 psig inboard differential*
Temperature	-55°C – 300°C / -67°F – 570°F Temperature limits depend on actual elastomers used
Speed	25 m/s or 5000 fpm

#### Applicable Standards and Approvals

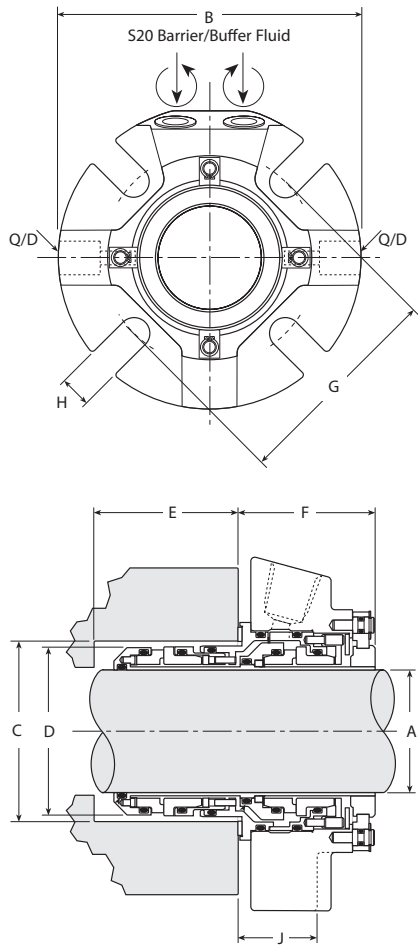
ISO-3069C, ASME B73.1, B73.2

#### Materials of Construction

Rotary Faces	CB SSC TC
Stationary Faces	SSC TC
Elastomers	FKM EPDM FEPM FFKM
Metal Parts	316 Stainless Steel / EN 1.4401
Springs	Alloy C-276 / EN 2.4819

\* Seal pressure capabilities are dependent on the fluid sealed, temperature, speed, and seal face combinations. For operation outside the limits and additional materials consult Chesterton Mechanical Seal Engineering.

# Dimensional Data



### S20 KEY

- A – Shaft Size
- B – Maximum Gland Diameter
- C – Seal Chamber Bore
- D – Seal Outside Diameter
- E – Minimum Seal Chamber Depth
- F – Outboard Seal Length
- G – Minimum Bolt Circle by Bolt Size
- H – Slot Width
- J – Seal Chamber to Bolt Surface

S20 EXTRA SMALL DUAL CASSETTE SEAL													
Dimensional Data/Metric	A	B	C	C	D	E	F	G MIN			H	J	
		MAX	MIN	MAX		MIN		10 mm	12 mm	16 mm			
	25	104	41,0	51,1	39,9	48	52	73,0	-	-	-	11,5	30,4
28	104	44,0	51,8	42,4	48	52	73,0	-	-	-	13,5	30,4	
30	104	46,0	56,6	44,5	48	52	78,0	-	-	-	13,5	30,4	
32	104	48,0	57,7	46,5	48	52	80,0	-	-	-	13,5	30,4	
33	113	49,0	58,8	47,4	48	52	80,0	83,0	-	-	15,0	30,4	
35	111	51,0	59,2	49,4	48	52	82,0	83,7	-	-	15,0	30,4	
Dimensional Data/Inch	A	B	C	C	D	E	F	G MIN			H	J	
		MAX	MIN	MAX		MIN		3/8"	1/2"	5/8"			
	1.000	4.1	1.63	2.01	1.57	1.88	2.05	2.88	-	-	-	0.44	1.20
	1.125	4.1	1.75	2.04	1.69	1.88	2.05	2.88	-	-	-	0.44	1.20
	1.125 OS	4.5	2.63	2.94	1.69	1.82	2.05	3.71	-	-	-	0.44	1.20
	1.250	4.1	1.88	2.27	1.83	1.88	2.05	3.13	-	-	-	0.44	1.20
1.375	4.4	2.00	2.33	1.94	1.88	2.05	3.14	3.33	-	-	0.57	1.20	
1.375 OS	5.4	2.81	3.00	1.94	1.82	2.05	4.03	-	-	-	0.44	1.21	
S20 SMALL DUAL CASSETTE SEAL													
Dimensional Data/Metric	A	B	C	C	D	E	F	G MIN			H	J	
		MAX	MIN	MAX		MIN		10 mm	12 mm	16 mm			
	38	114	57,2	62,0	55,6	50	54	84,0	89,9	-	-	13,5	30,4
	40	127	60,0	68,3	57,5	50	54	89,2	91,7	-	-	13,5	30,4
	43	127	63,0	68,8	60,5	50	54	91,9	94,7	-	-	13,5	30,4
	45	140	65,0	73,4	62,5	50	54	94,2	96,8	-	-	13,5	30,4
	48	140	68	73,8	65,5	50	54	97,0	99,8	-	-	13,5	30,4
	50	140	70,0	78,5	67,5	50	54	99,3	101,9	-	-	17,5	30,4
	53	153	75,0	83,6	72,5	50	54	104,4	106,4	112,0	-	17,5	30,4
	55	153	75,0	83,6	72,5	50	54	104,4	106,4	112,0	-	17,5	30,4
	60	153	80,0	92,2	77,8	50	54	112,8	114,8	118,9	-	17,5	30,4
	65	164	88,9	100,1	84,2	50	54	124,0	126,0	129,8	-	17,5	30,4
	70	196	95	110	93	63	63	137	141	-	-	17	41
	75	202	104	119	99	63	63	143	147	-	-	17	41
	80	203	109	122	103	63	63	150	154	-	-	17	41
	85	211	114	128	109	63	63	152	156	161	-	20	41
90	214	119	132	113	63	63	160	164	168	-	20	41	
95	221	124	137	118	63	63	161	165	170	-	20	41	
100	228	129	144	125	63	63	168	172	177	-	20	41	
110	237	137	154	134	63	63	178	182	186	-	20	41	
120	266	146	164	144	63	63	187	191	196	-	20	41	
Dimensional Data/Inch	A	B	C	C	D	E	F	G MIN			H	J	
		MAX	MIN	MAX		MIN		3/8"	1/2"	5/8"			
	1.500	4.50	2.25	2.44	2.19	1.97	2.11	3.31	3.55	-	-	0.57	1.20
	1.625	5.00	2.38	2.70	2.31	1.97	2.11	3.49	3.68	-	-	0.57	1.20
	1.750	5.50	2.50	2.81	2.44	1.97	2.11	3.61	3.80	-	-	0.57	1.20
	1.750 OS	6.64	3.50	3.75	2.44	1.97	2.11	5.38	5.50	-	-	0.57	1.20
	1.875	5.50	2.63	2.94	2.56	1.97	2.11	3.74	3.93	-	-	0.57	1.20
	1.875 OS	5.99	3.56	3.81	2.56	1.97	2.11	-	5.00	-	-	0.57	1.20
	2.000	5.50	2.75	3.19	2.69	1.97	2.11	3.99	4.12	-	-	0.57	1.20
	2.125	6.00	2.88	3.44	2.81	1.97	2.11	4.24	4.37	4.49	-	0.69	1.20
	2.125 OS	6.99	3.88	4.25	2.81	1.66	2.42	-	4.49	5.25	-	0.69	1.51
	2.250	6.00	3.00	3.56	2.94	1.97	2.11	4.36	4.49	4.61	-	0.69	1.20
	2.375	6.00	3.13	3.62	3.06	1.97	2.11	4.42	4.55	4.68	-	0.69	1.20
	2.500	6.50	3.25	3.81	3.19	1.97	2.11	4.61	4.74	4.86	-	0.69	1.20
2.500 OS	7.77	4.50	4.75	3.19	1.97	2.11	-	6.63	6.75	-	0.69	1.20	
2.625	6.50	3.38	3.94	3.31	1.97	2.11	4.86	4.99	5.11	-	0.69	1.20	
2.625 OS	6.99	4.55	4.88	3.31	1.97	2.11	-	5.88	6	-	0.69	1.20	

Chesterton ISO certificates available on [chesterton.com/corporate/iso](http://chesterton.com/corporate/iso)

Distributed by:

ViewIn™ is a trademark of A.W. Chesterton Company. Technical data reflects results of laboratory tests and is intended to indicate general characteristics only. A.W. Chesterton Company disclaims all warranties express or implied, including warranties of merchantability and fitness for a particular purpose. Liability, if any, is limited to product replacement only. Any images contained herein are for general illustrative or aesthetic purposes only and are not intended to convey any instructional, safety, handling or usage information or advice respecting any product or equipment. Please refer to relevant Safety Data Sheets, Product Data Sheets, and/or Product Labels for safe use, storage, handling, and disposal of products, or consult with your local Chesterton sales representative.

© 2018 A.W. Chesterton Company  
 Registered trademark owned by A.W. Chesterton Company  
 in USA and other countries, unless otherwise noted.