

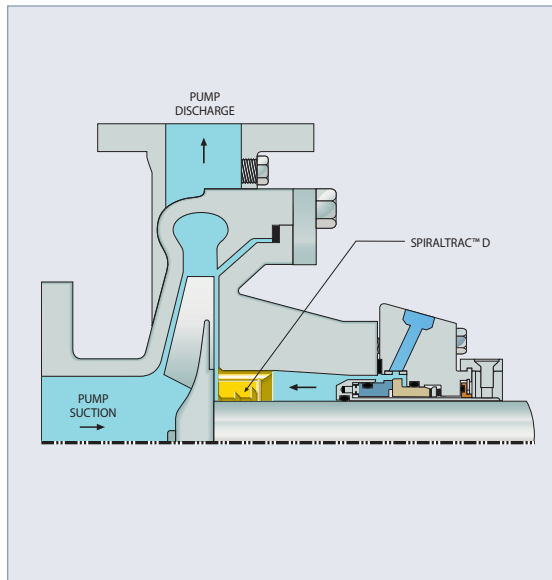
Chesterton® PLAN 33H

SpiralTrac™ Version D Type I

What Used without flush to provide a cleaner sealing environment. This plan has been developed by Chesterton.

Why To clean the seal chamber of solids.

When Dilution is not permitted; sealing process fluids with solids.

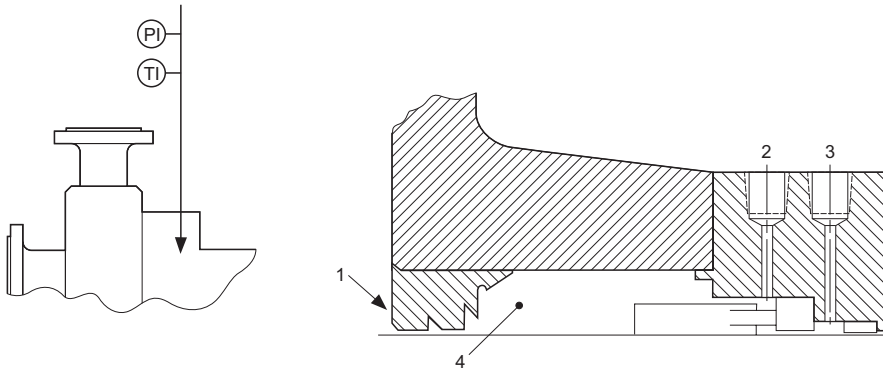


SpiralTrac™ is a trademark of EnviroSeal Engineering Products Ltd.

KEY

- 1 — SpiralTrac™ Bushing
- 2 — Flush (F)
- 3 — Quench/Drain (Q/D)

- 4 — Seal Chamber
- PI — Pressure Indicator
- TI — Temperature Indicator



Drawing reproduced from ANSI/API Standard 682, Third Edition, September 2004, courtesy of the American Petroleum Institute.